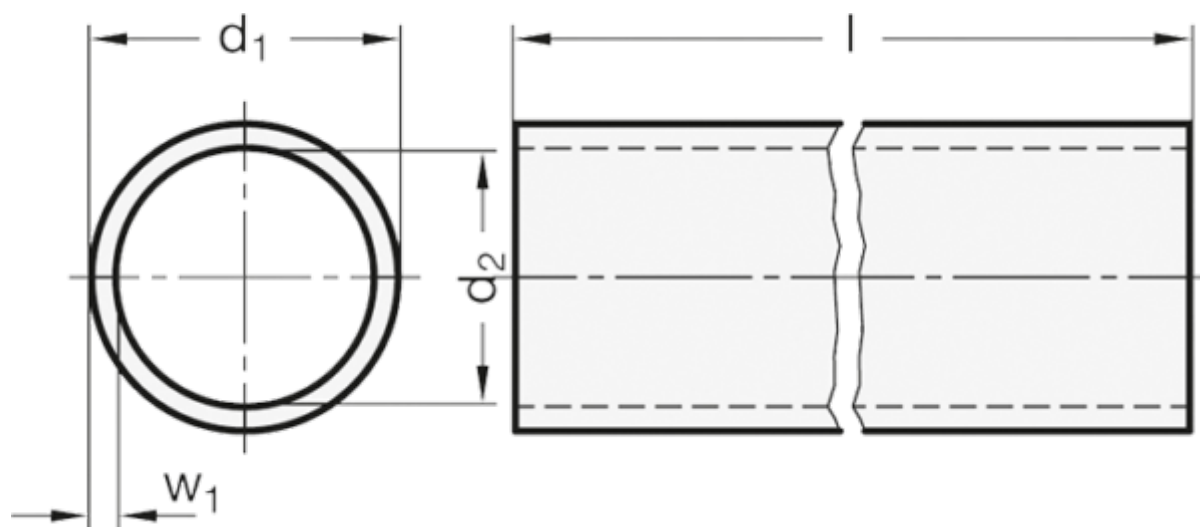


Article number: 20990NID402000BL

Description: E+G GN 990 Construction tube round  
GN 990-NI-D40-2000-BL

## Measures



$d_1$  = D40 +0.15/-0.2

$d_2$  = 34

$l \pm 0.5$  = 2000

$w_1$  = 3

Weight in (g) = 5000